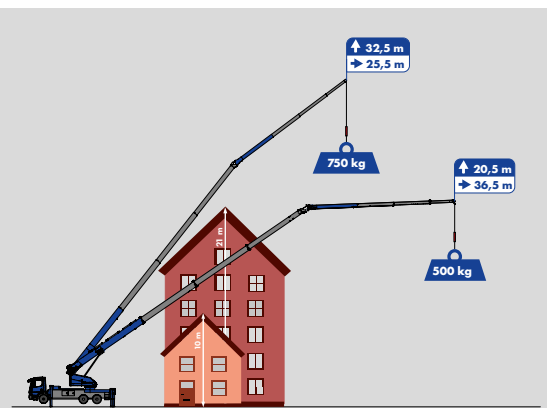
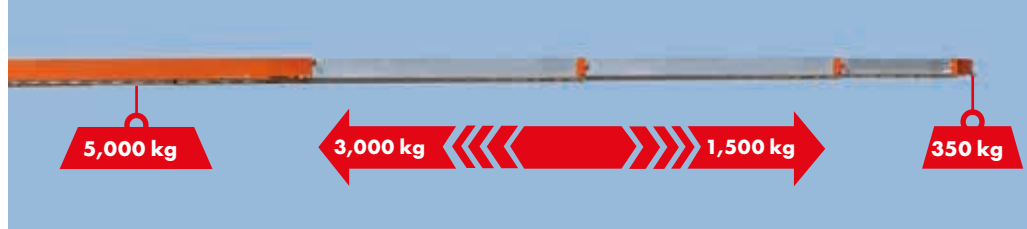


**K950**



- Hook height 43,5 m / Boom length 45 m
- Hybrid Drive
- Hydraulic telescopic fly jib
- 28 m Working range 1,000 kg



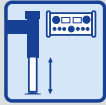
**Equipment**



Klaas Boom System



V-Outriggers



Automatic levelling



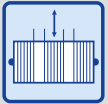
Hydraulic telescopic fly jib



Twin luffing cylinders



Double derricking cylinders



Telescopic winch



Continuous rotation



Crane control system



XL Radio remote control



Drive concept



Extendable counterweight



Full panelling



Personal safety mode



Working platform (opt.)



Accessory fix system (opt.)



Mounting-/glass hook (opt.)

**Technical specifications**

Hook load (stand./opt.)	3.0/5.0 t
Hook height	43.50 m
Boom length	45.00 m
Outrigger width (min.)	3.04 m
Outrigger width (max.)	5.48 m
Winch capacity	3,000 kg
Boom (3,000 kg - 1,500 kg)	5.50 - 12.05 m

Extension 3 (350 kg)	13.78 m
Truck * Total weight (min.)	≥ 16 t

\*depending on truck type

**Working range\***

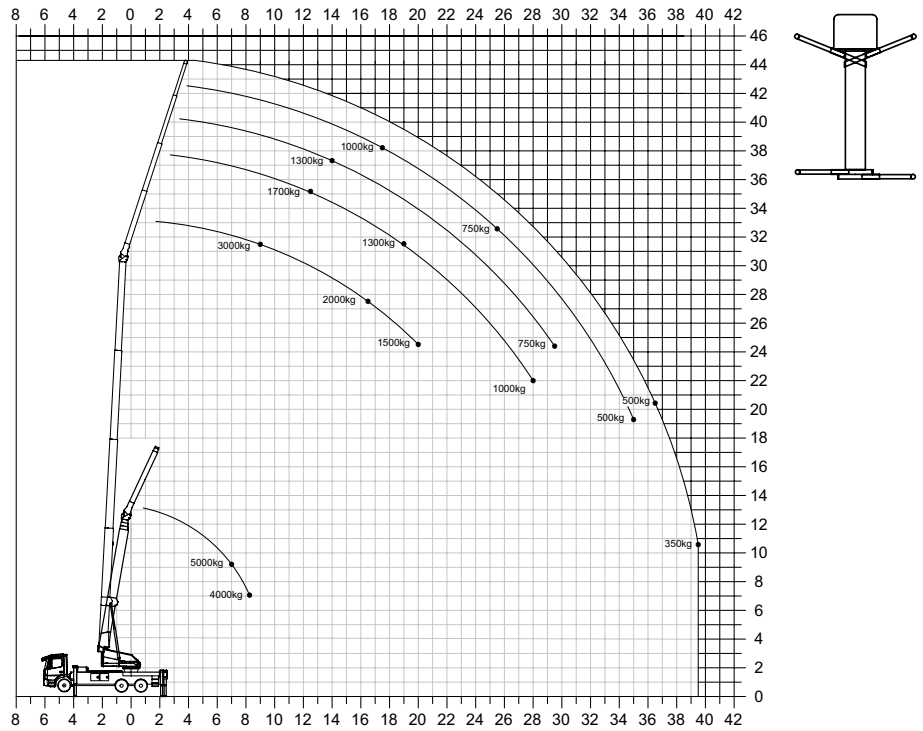
Load	Working range	Height
3,000 kg	9.00 m	31.50 m
2,000 kg	16.50 m	27.50 m
1,000 kg	28.00 m	22.00 m
350 kg	39.50 m	10.50 m

**Working range 5 t Capacity\*\***

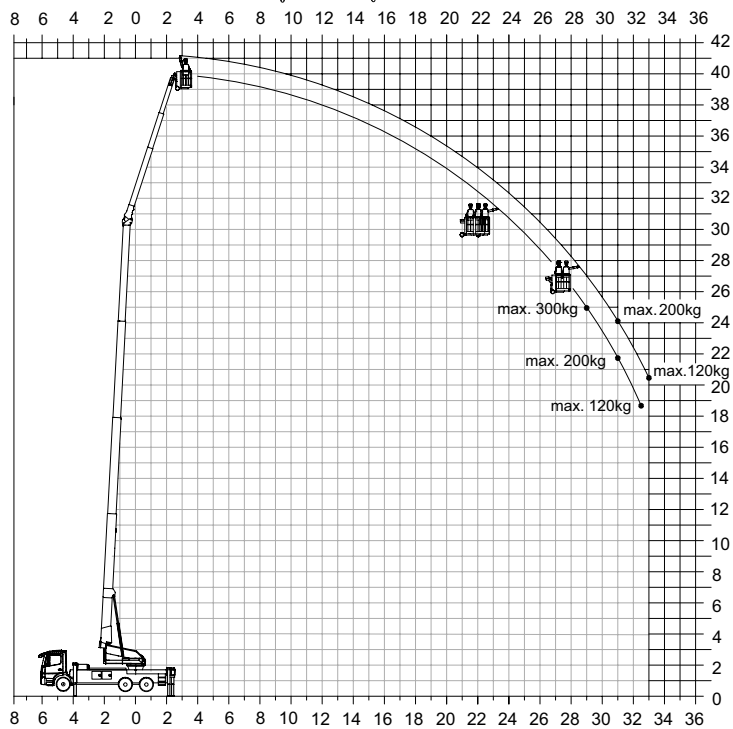
Load	Working range	Height
5,000 kg	7.00 m	9.00 m
4,000 kg	8.20 m	7.00 m

\*\*with 2-fall

**Working range diagram\***



**Platform operation\***



\*Working range vary, depending on truck type.

Subject to technical changes. All specifications are approximate and depending on truck type. Changes to the functions and services are reserved. The information reflects the device performance at the time of printing.